

PLC (Power Line Communication)



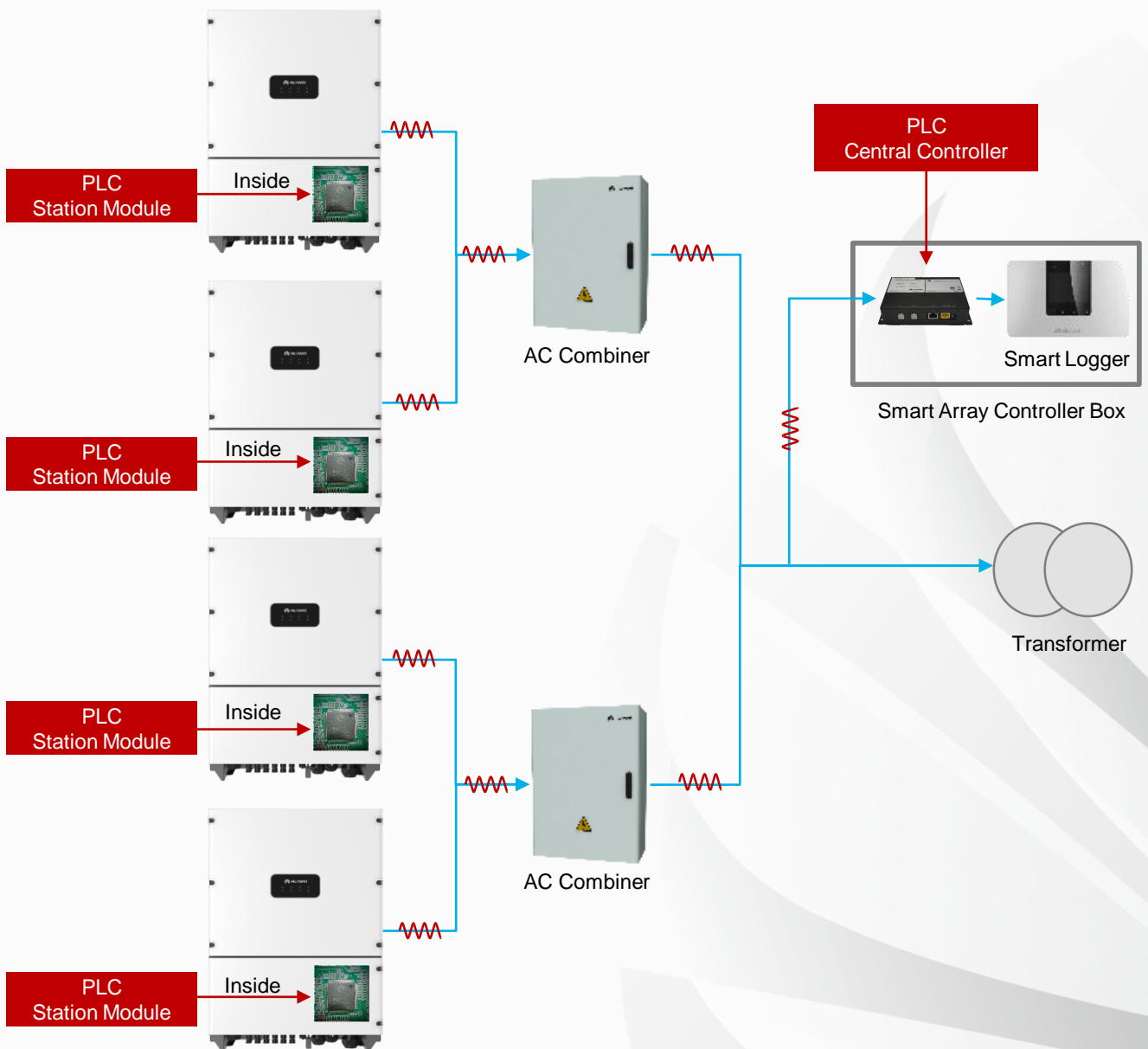
PLC Module



Customer Value

- No need for RS485 cables, reducing engineering costs
- Overcome the difficulties of troubleshooting for RS485 cables
- Higher data transmission rate of 115.2Kbps
- Max. range 1000m

Network Structure

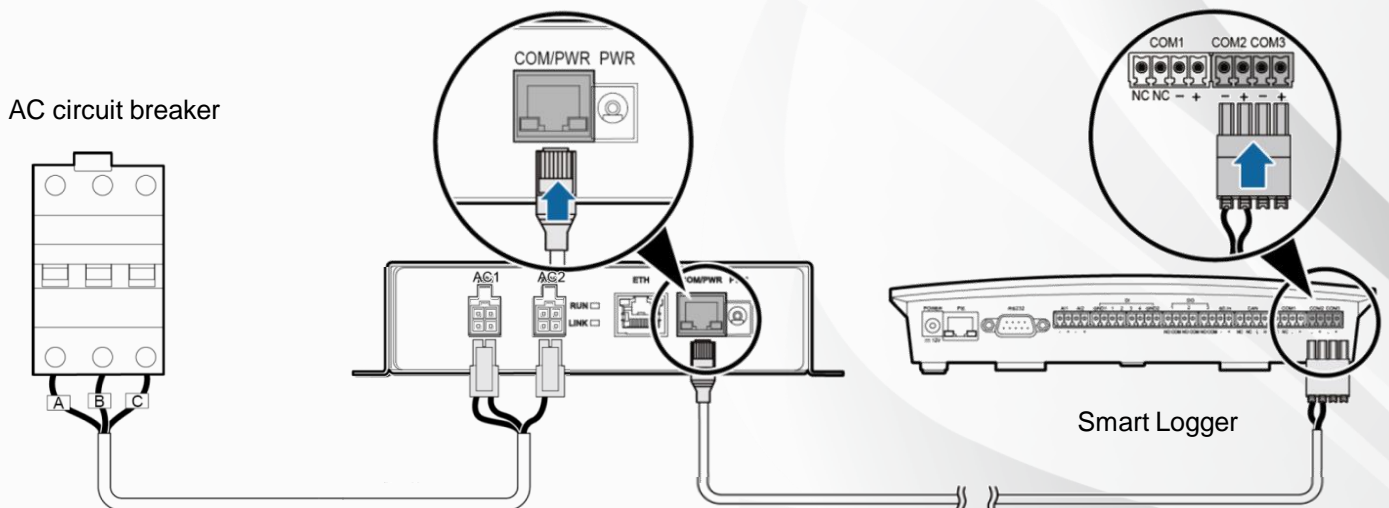


PLC (Power Line Communication)



Technical Specifications	PLC
	Device Management
Max. Number of Devices	80
Max. Transmission Bandwidth	115.2 Kbps
Max. Communication Range	1000 m
	Display
LED	2 LEDs
	General Data
Power Supply	100 V - 240 VAC, 50 Hz / 60 Hz
Power Consumption	Typical: 2 W, Maximum: 4 W
Dimensions (W/H/D)	169 × 100 × 39 mm
Weight	550 g
Operating Temperature Range	-20 °C to +70 °C
Relative Humidity (Non-condensing)	5 - 95%
Degree of Protection	IP20
Installation Option	Tabletop, Rail mounting
	Safety / EMC
Safety / EMC	EN61000-6-2, EN61000-6-3, EN61000-3-11, EN61000-3-12, EN/IEC62109-1, EN/IEC62109-2

Connection



Note: The PLC solution could ONLY be deployed in utility installations which are normally connected to the medium voltage (MV) grid.